

H

G

F

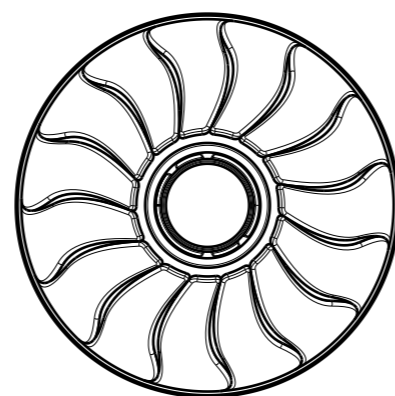
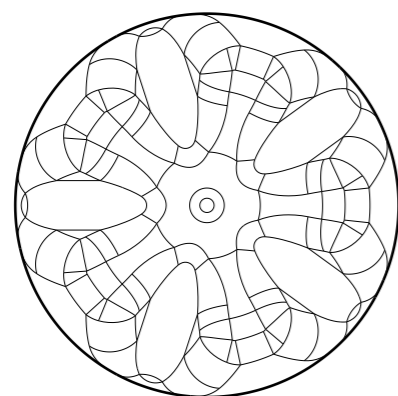
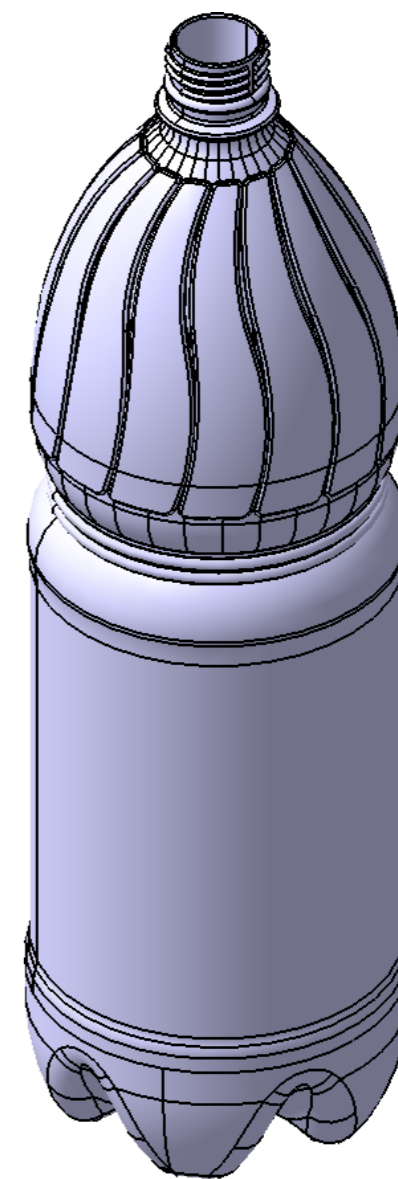
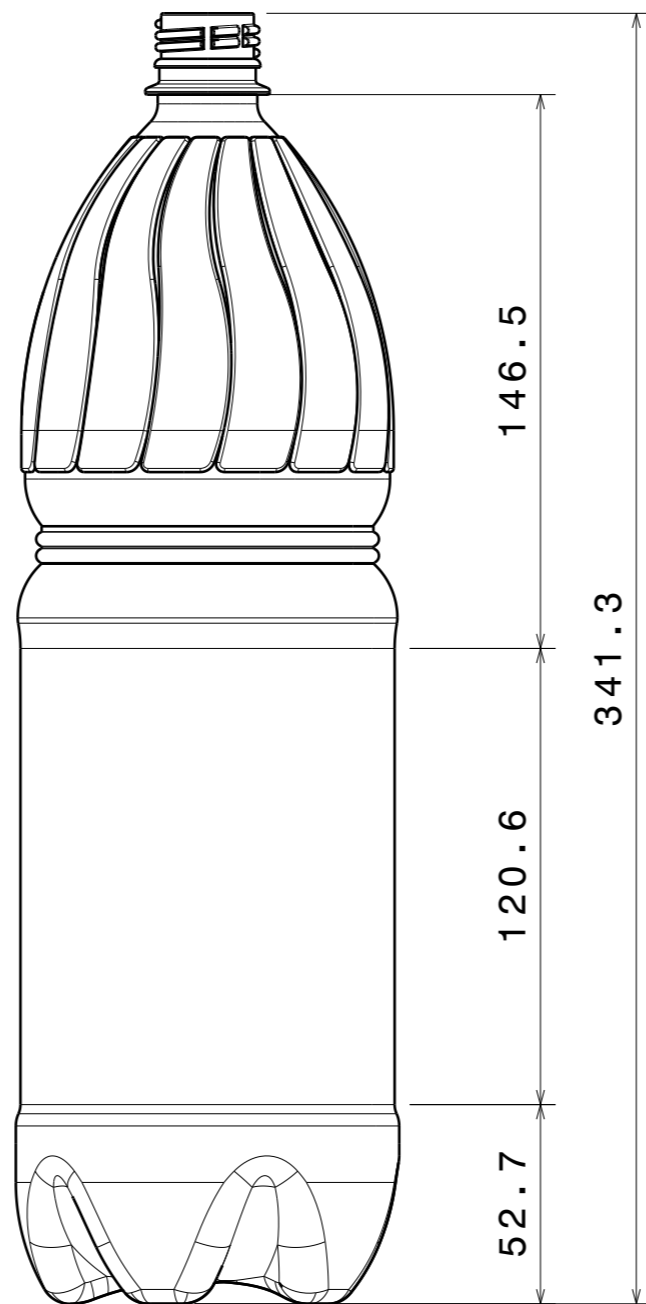
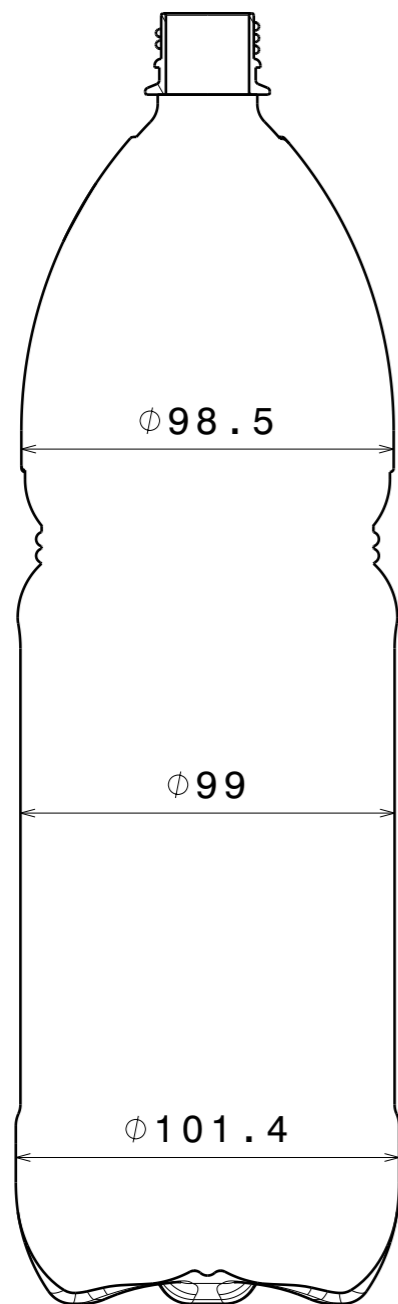
E

D

C

B

A



DESIGNED BY:

M. Orquiguil

DATE:

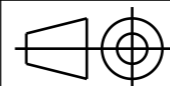
04/08/2011

SIGNING CONFORMITY:

DATE:

PAGE SIZE

A3



SCALE

1:2

WEIGHT (g)

-

DRAWING CODE

UNOPACK - MATRICERÍA

Envase 2000 cc

Versión 1 - 0811

SHEET

1/1

I	-
H	-
G	-
F	-
E	-
D	-
C	-
B	-
A	-

This drawing is our property; it can't be reproduced or communicated without our written agreement.

H

G

B

A

4

3

2

1

4

3

2

1